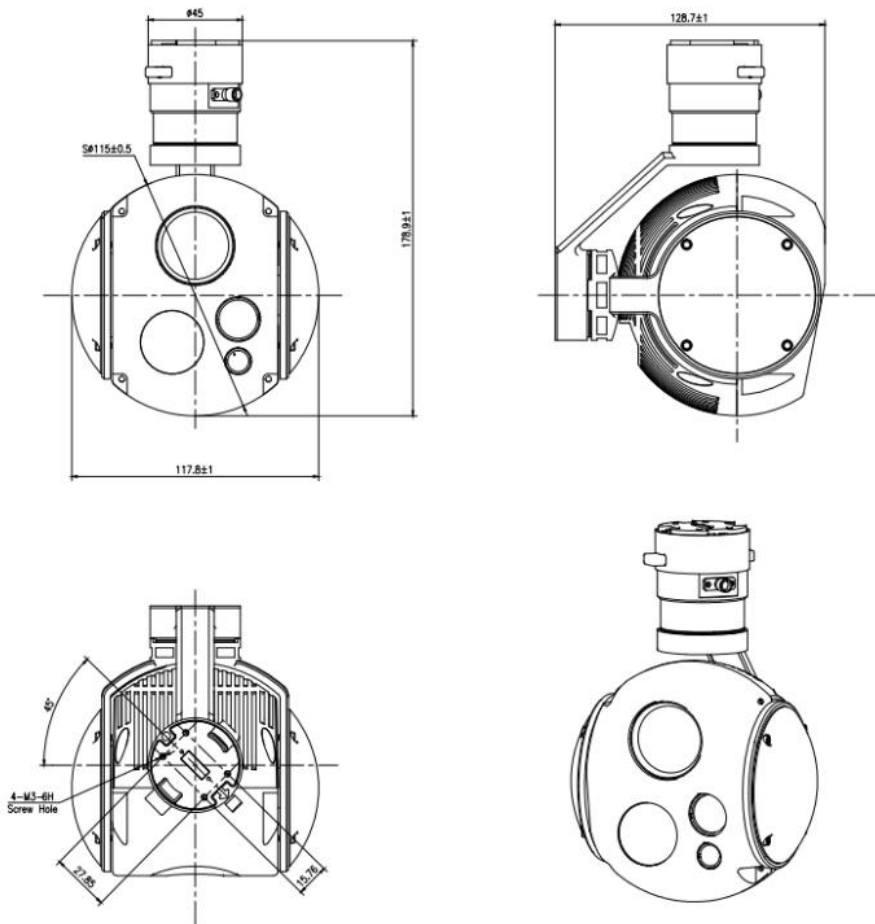


Product highlights:

1. Three-light: 10 x continuous zoom visible light imaging + fixed focus uncooled infrared imaging + laser range finding
2. target tracking
3. Infrared temperature measurement (optional)
4. Support video storage
5. Suitable for fixed wing, single rotor, multi-rotor and other aircraft

Dimensions



Parameters

MODEL		FIVR-10
System specification	System type	Gyro stability
	Weight	900g
Stable system	Platform type	Tri-axis
	Azimuth	360° rotation
	pitch	-90° ~+30°
	Roll	-45° ~+45°
	Maximum search angular velocity	$\geq 100^\circ /s$
	Stability accuracy	0.1mrad(1° /2HZ)
	Angular position accuracy	$\leq 0.3^\circ$
	Electro Optical (10X)	Resolution and frame rate
FOV		61° × 36° ~6.7° × 3.8°
Focus		f=4.7mm-47mm
Ranging	Laser Ranging	$\geq 3\text{km} (\pm 1\text{m})$
Infrared camera	Resolution and frame rate	640*480
	Size of pixel	12 μm
	FOV	22.8°×17.2°
	LEN	19mm
Tracking module	Frame rate	60Hz
	Tracking speed	± 48 Pixel/frame
System external interface	Control	RS232、NET
	Video output	NET
Power supply	Power	12~28V
	Power consumption	$A_v \leq 15\text{W}$, $\text{Max} \leq 30\text{W}$
Environmental conditions	Operating temperature	-10°C ~+50°C
	Storage temperature	-40°C ~+60°C